



**John  
BOOS**  
Since 1887

ITEM #: \_\_\_\_\_ QTY: \_\_\_\_\_

MODEL #: \_\_\_\_\_

PROJECT NAME: \_\_\_\_\_

031518

3601 S. Banker St. Effingham, IL 62401 • P.O. BOX 609 • Ph: (888) 431-2667 • Fax: (800) 433-2667

## **"EFT8-SSK" FILLER TABLES - 18GA**



### **STAINLESS STEEL TOP AND BASE W/ ADJUSTABLE UNDERSHELF**

#### **FEATURES:**

- 18 GAUGE STAINLESS STEEL TOP
- TYPE 430 STAINLESS STEEL MECHANICALLY POLISHED WITH SATIN FINISH
- TOP IS SOUND DEADENED
- REINFORCED WITH 1"X2" CHANNEL RUNNING ENTIRE LENGTH OF TABLE
- 1 1/2" STALLION EDGE ON FRONT WITH 90 DEGREE BEND DOWN FOR TABLE LINE-UP
- STAINLESS STEEL BASE AND ADJUSTABLE UNDERSHELF
- SHIPPED KNOCKED-DOWN, EASY-TO-ASSEMBLE
- NSF CERTIFIED

#### **CONSTRUCTION:**

- TOP: STAINLESS STEEL TOPS ARE TIG WELDED, EXPOSED WELDS ARE POLISHED TO MATCH ADJACENT SURFACE.

#### **MATERIAL:**

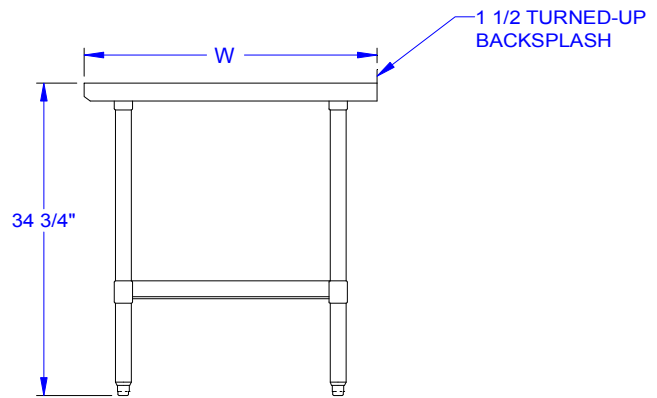
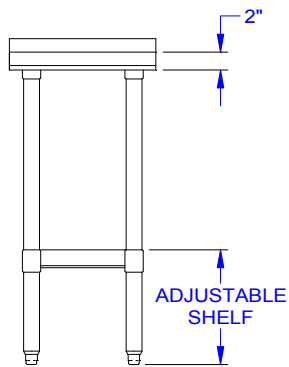
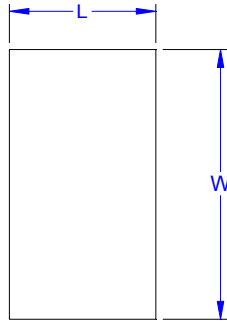
- TOP: 18 GAUGE STAINLESS STEEL TYPE 430 MECHANICALLY POLISHED STAINLESS STEEL WITH SATIN FINISH
- SHELF: 18 GAUGE STAINLESS STEEL,
- LEGS: 1-5/8" ROUND O.D. 16 GAUGE TUBULAR STAINLESS STEEL
- GUSSETS: STAINLESS STEEL
- FEET: 1" PLASTIC BULLET FEET



### **FILLER TABLES - 18GA**

30" WIDE	QTY	36" WIDE	QTY
EFT8-3012SSK		EFT8-3612SSK	
EFT8-3015SSK		EFT8-3615SSK	
EFT8-3018SSK		EFT8-3618SSK	
EFT8-3024SSK		EFT8-3624SSK	

## DETAILED SPECIFICATIONS



- UNITS 7 FT. AND LARGER ARE FURNISHED WITH SIX LEGS.
- FINISHED SIZE OF UNDERSHELF:  
SHELF LENGTH = LENGTH MINUS 4.875"  
SHELF WIDTH = WIDTH MINUS 4.25"

### FILLER TABLES - 18GA

LENGTH	30" WIDE	WEIGHT (LBS)	36" WIDE	WEIGHT (LBS)
12"	EFT8-3012SSK	32	EFT8-3612SSK	35
15"	EFT8-3015SSK	36	EFT8-3615SSK	39
18"	EFT8-3018SSK	39	EFT8-3618SSK	43
24"	EFT8-3024SSK	45	EFT8-3624SSK	55

SOME UNITS SHIP UNASSEMBLED FOR REDUCED SHIPPING COST. ALL DIMENSIONS ARE TYPICAL. TOLERANCE +/- .500"  
John Boos & Co. is constantly engaged in a program of improving products and therefore reserves the right to change specifications without prior notice.

